



kaleidescape

Vertical Mounting of Kaleidescape Components

Engineering Bulletin

Most Kaleidescape components can be mounted vertically. However certain restrictions apply.

- ▶ Intake air **temperature** must be maintained.
- ▶ Maximum **altitude** specified cannot be exceeded.
- ▶ **Airflow** must be maintained.
- ▶ The **front panel** of a component must not face in an up or down direction except for mini players which can be mounted in any direction.
- ▶ The 1U Server **cannot** be mounted vertically.

Temperature and Orientation

When a Kaleidescape component is mounted vertically, the intake air temperature must be maintained at a distance of 1 in. (2.5 cm) **across the entire front** of the component.

Table 1 lists Kaleidescape components that can be mounted vertically and maximum intake air temperature depending on orientation.

Table 1 Intake Air Temperature Upper Limits

Kaleidescape Component	Temperature with POWER Button to the Top	Temperature with POWER Button to the Bottom
Cinema One (KCINEMA-1)	95 °F (35 °C)	95 °F (35 °C)
1U Server (KSERVER-1500)	Cannot be mounted vertically	
3U Server (KSERVER-5000)	86 °F (30 °C)	Not recommended
5U Server (KSERVER-2500)	86 °F (30 °C)	Not recommended

Table 1 Intake Air Temperature Upper Limits (Continued)

Kaleidescape Component	Temperature with POWER Button to the Top	Temperature with POWER Button to the Bottom
M500 Player (KPLAYER-M500)	95 °F (35 °C)	95 °F (35 °C)
M300 Player ¹ (KPLAYER-M300)	95 °F (35 °C) in any direction	
1080p Player (KPLAYER-6000)	81 °F (27 °C)	68 °F (20 °C)
1080p Mini Player ¹ (KPLAYER-300)	86 °F (30 °C) in any direction	
Movie Player (KPLAYER-2000, KPLAYER-2500)	86 °F (30 °C)	Not recommended
Movie Player 2	90 °F (32 °C)	77 °F (25 °C)
Music Player	95 °F (35 °C)	86 °F (30 °C)
1. Mini players can be mounted facing up, down, or to either side.		

Airflow and Mounting

Note: The following clearance requirements must be maintained for proper airflow and temperature control. See [Engineering Bulletin, “Environmental Specifications for Kaleidescape Components.”](#)

- ▶ 1 in. (2.5 cm) clearance in front of the Kaleidescape component
- ▶ 2 in. (5 cm) clearance at the back
- ▶ Vents and grilles cannot be blocked. Cables, brackets, clamps must be secured so that vents are exposed.

Servers

3U and 5U Servers mounted vertically must be mounted with the **POWER** button up to allow the exhaust fans to provide proper ventilation. Figure 1 shows how Kaleidescape servers are mounted vertically.

3U Servers are shipped with disk cartridges installed. Carefully remove disk cartridges before mounting, then reinstall.

WARNING

Disk cartridges can be damaged by even a light bump. Extreme care must be taken at all times when handling the disk cartridges.

Note: The 1U Server cannot be mounted vertically.

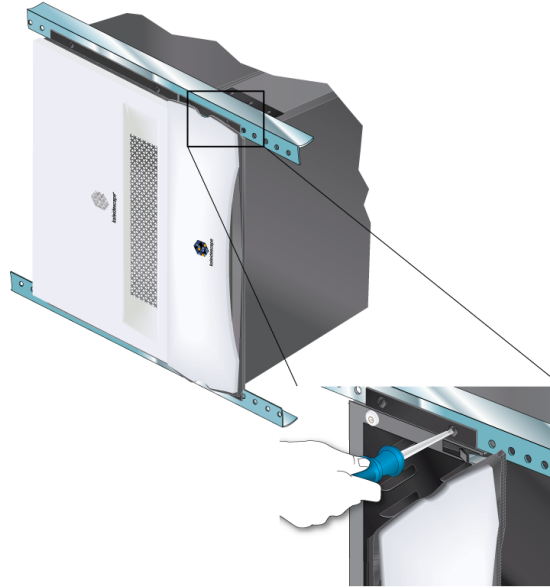


Figure 1 Vertical Mounting of 5U Server and 3U Server

! WARNING

The hinges on the 3U Server front panel must be opened with equal pull on each side to avoid damage.

Players

Figure 2 shows a 3U Server mounted vertically with three Kaleidescape players (one M500 Player, one 1080p Player, and one Music Player). The server must be mounted with the **POWER** button at the top to allow the exhaust fans to provide proper ventilation.

! CAUTION

Discs can be imported or played from the tray when players are mounted vertically; however, discs can be easily damaged when inserted and removed. Handle with care.

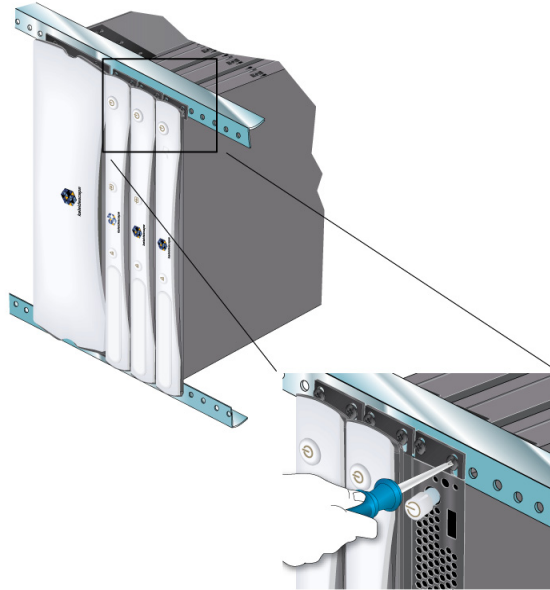


Figure 2 Vertical Mounting of M500 Player, 1080p Player, and Music Player

Figure 3 shows a 5U Server mounted with two Movie Players. These components **MUST** be mounted with the **POWER** button at the top to maintain proper ventilation.



Figure 3 Vertical Mounting of 5U Server with Movie Players

Mini Players

Figure 4 shows a 3U Server mounted vertically with mini players and a Cinema One.

Mini players are first mounted on the Mini Player Rack-Mount Shelf, then attached to the rack rail. If only one mini player is mounted on the shelf, the mini player can be at the top or bottom of the shelf. When mounting only one player, the blanking plate must be installed on the Mini Player Rack-Mount Shelf in the empty slot.

Mini players can also be mounted vertically on the wall-mounting bracket supplied with the player.

Note: Mini players can be mounted in any direction. Mini players are the only components that can be mounted with the front panel facing up or down, for example when mounting the player to the wall-mounting bracket.

Cinema One

The Cinema One is mounted with the **POWER** button up in Figure 4.

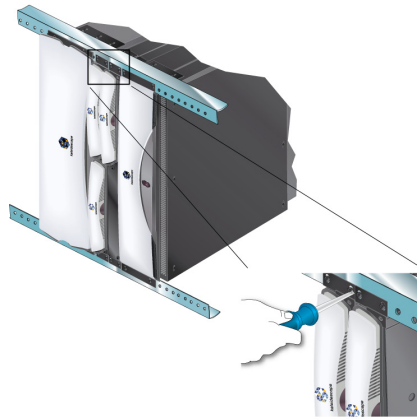


Figure 4 Vertical Mounting of Mini Players and Cinema One

Kaleidescape Support

For additional information, contact Kaleidescape Support.

- ▶ Send an email message to support@kaleidescape.com.
- ▶ Call the support line at **+1 (650) 625-6160**.

Be prepared to provide the serial number of the Kaleidescape server. Serial numbers are printed on labels located on the backs of all components and inside the front panels of the 3U and 5U Servers.

The Kaleidescape website always has the latest support updates.

www.kaleidescape.com